

Diode Pumped Infrared 1030 nm CrystaLaser®

High reliability High stability Single longitudinal mode Ultra-compact

SPECIFICATIONS

Wavelength	1030 nm		
Laser crystal	Yb:YAG		
Laser version	Standard version		SLM version
Model No. and output power	CL1030-200 CL1030-100	200 mW 100 mW	CL1030-200-S CL1030-100-S CL1030-050-S 200 mW 100 mW 50 mW
Longitudinal mode spectrum	Multiple		Single; frequency tunable option available
Coherence length	1 - 5 mm		> 300 meters
Linewidth	0.5 nm, nominal		< 10 ⁻⁵ nm
Modulation options	TTL 1kHz, 3 kHz, 10 kHz, 50kHz Analog control, Analog modulation		TTL on/off option
Output stability (rms)	< 2% over 2 hours; ultra-stable option: 0.5% over 24 hours		
Transverse mode	Single mode, TEM ₀₀ , M ² = 1.0 - 1.2		
Beam diameter (1/e ²)	0.3 mm	Option: 2X - 5X laser beam expanders are available to change beam size and divergence	
Beam divergence	5 mrad	e.g. 0.6 mm beam with 2.5 mrad divergence; or 2 mm beam with 0.8 mrad divergence	
Beam pointing stability	< 0.005 mrad/°C		
Polarization ratio	100:1; Vertical linear polarization		
Operation temperature	10 °C to 35 °C		
Warm-up time	< 1 minute		
Operation voltage	90-250 VAC or 12VDC OEM version 11-16VDC; Typical power consumption: 10 W		
Dimensions and weight of laser head	3x3x12 cm ³ (1.2x1.2x4.7 in ³) with a fixed 6 mm thick plate, 0.3kg (0.6 lb) 7x3.6x18.5 cm ³ (2.8x1.4x7.3 in ³), 0.6 kg (1.3 lb) for lasers ≥ 2 W, type 2 size		
Dimensions and weight of power supply	AC: 5x14x15 cm ³ (2x5.5x6 in ³), 0.5 kg (1 lb) DC: 8.5x3.5x12.7 cm ³ (3.3x1.4x5 in ³), 0.2 kg (0.5 lb); option CL-2005 power display AC: 5 x 16 x 15 cm ³		

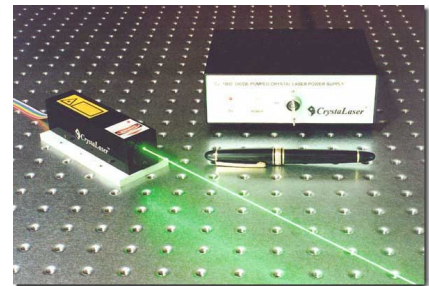
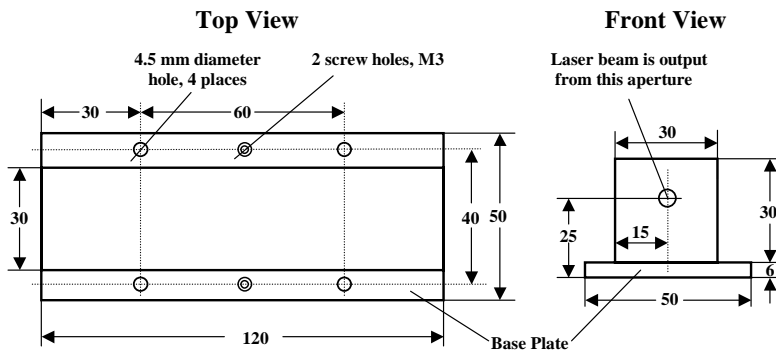
Fiber coupling option: Single mode and multi-mode fiber delivery.

CL-2005 power supply option: Power adjustable and power digital display.

Made in the USA



Laser Head All dimensions in mm



Mechanical dimensions of the laser head and power supply of infrared laser are the same as the green laser.