

# Diode Pumped **Yellow-Green 561 / 558 / 555 nm** CrystaLaser®

High reliability    High stability    Single longitudinal mode    Ultra-compact

## SPECIFICATIONS

Wavelength	Standard version, Model No.				Low noise version, Model No.	
561 nm Vertical polarization	CL561-250	250 mW	CL561-100	100 mW	CL561-050-L	50 mW
	CL561-200	200 mW	CL561-050	50 mW	CL561-025-L	25 mW
	CL561-150	150 mW	CL561-025	25 mW		
558 nm Vertical polarization	CL558-250	250 mW	CL558-100	100 mW	CL558-050-L	50 mW
	CL558-200	200 mW	CL558-050	50 mW	CL558-025-L	25 mW
	CL558-150	150 mW	CL558-025	25 mW		
555.5 nm Vertical polarization	CL555-250	250 mW	CL555-100	100 mW	CL555-050-L	50 mW
	CL555-200	200 mW	CL555-050	50 mW	CL555-025-L	25 mW
	CL555-150	150 mW	CL555-025	25 mW		
Output noise (rms)	2% from 1Hz to 10 kHz, ~20% at 500 kHz				5% from 1 Hz to 100 MHz	
Output stability (rms)	< 2% over 2 hours; Ultra-stable option: 0.5% or 0.25% over 24 hours					
Transverse mode	Single mode, TEM <sub>00</sub> , M <sup>2</sup> = 1.0 - 1.1					
Longitudinal mode	Multiple longitudinal modes					
Coherence length	0.5 - 3 mm					
Spectrum linewidth	0.15 nm, nominal					
Beam diameter (1/e <sup>2</sup> )	0.7 mm	Option: 0.5X - 5X laser beam expanders are available to change beam size and divergence				
Beam divergence	1 mrad	e.g. 0.35 mm beam with 2 mrad divergence; or 1.4 mm beam with 0.5 mrad divergence				
Beam pointing stability	< 0.005 mrad/°C					
Polarization ratio	50:1, >100:1 option available; 45° off vertical, for ≥ 300 mW laser, vertical linear polarization					
Operation temperature	10 °C to 35 °C					
Warm-up time	< 1 minute					
Operation voltage	90-250 VAC or 12VDC OEM version 11-16VDC; Typical power consumption: 15 W					
Dimensions and weight of laser head	3x3x12 cm <sup>3</sup> (1.2x1.2x4.7 in <sup>3</sup> ) with a fixed 6 mm thick plate, 0.3kg (0.6 lb) 7x3.6x18.5 cm <sup>3</sup> (2.8x1.4x7.3 in <sup>3</sup> ), 0.6 kg (1.3 lb) for lasers ≥ 400 mW, type 2 size					
Dimensions and weight of power supply	AC: 5x14x15 cm <sup>3</sup> (2x5.5x6 in <sup>3</sup> ), 0.5 kg (1 lb); Option CL-2005 power display AC: 5 x 16 x 15 cm <sup>3</sup> DC: 8.5x3.5x12.7 cm <sup>3</sup> (3.3x1.4x5 in <sup>3</sup> ), 0.2 kg (0.5 lb)					

\* Polarization direction can be rotated to vertical or horizontal

**Fiber coupling option:** Single mode and multi-mode fiber delivery.

**Modulation option:** TTL on/off, 1 kHz to 10 kHz; and Analog modulation option

**CL-2005 power supply option:** Power adjustable and power digital display.

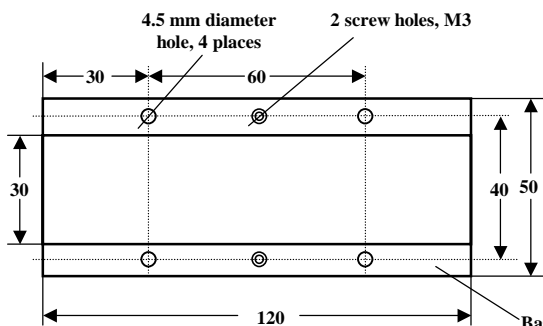
Made in the USA



## Laser Head

All dimensions in mm

### Top View



### Front View

